

INDUSTRIAL DIESEL ENGINE

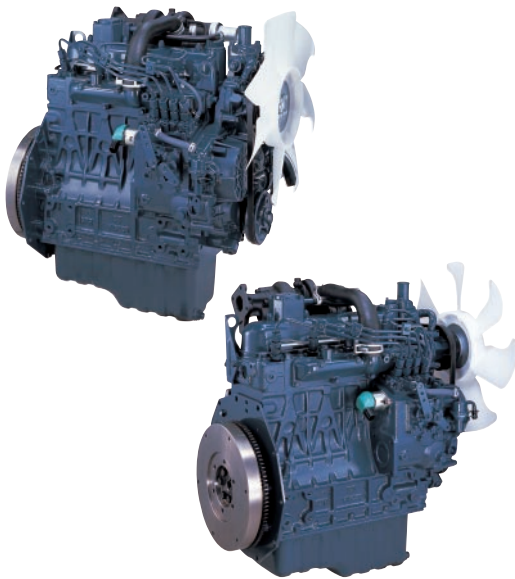
**KUBOTA 05 SERIES (4-cylinder)**

# V1505-T-E3B



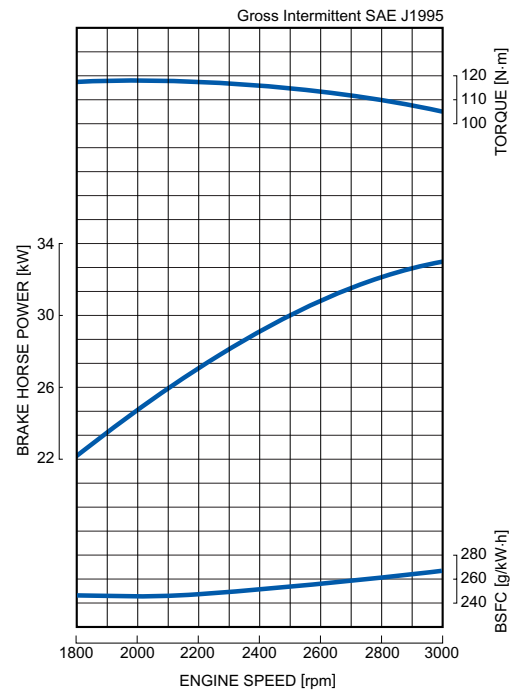
## RATED POWER

**33.0kW@3000rpm**



Photographs may show non-standard equipment.

## PERFORMANCE CURVE



## FEATURES and BENEFITS

### EMISII

Motorul D1505 turbo respecta reglementarile EPA Interim Tier 4 care sunt valabile pana in 2012. Acest motor respecta de asemenea standardele EU Stage IIA pe piata europeana.

### CURAT SI SILENTIOS

Sistemul E-TVCS a fost imbunatatit. Fluxul de aer, camera de combustie si pistonii sunt imbunatatiti sa ofere cu 50% mai putin PM (particule in suspensie).

### PUTERE

Acest motor este lider de piata prin puterea exercitata, fiind optiunea preferata de producatori.

Motorul ofera o usoara tranzitie de la Tier 2 la Tier 4, mentinand aproximativ aceeasi constructie, fara modificari in performanta.

## GENERAL SPECIFICATION

Model		<b>V1505-T-E3B</b>
Emission Regulation		Interim Tier 4 / Stage III A
Type		Vertical 4-cycle Liquid Cooled Diesel
Number of Cylinders		4
Bore	mm (in)	78.0 (3.07)
Stroke	mm (in)	78.4 (3.09)
Displacement	L (cu.in)	1.498 (91.41)
Combustion System		IDI
Intake System		Turbocharged
Maximum Speed	rpm	3000
Output: Gross Intermittent	kW	33.0
	hp	44.2
	ps	44.9
Direction of Rotation		Counterclockwise Viewed on Flywheel
Oil Pan Capacity	L (gal)	6.7 (1.77)
Starter Capacity	V-kW	12-1.2 [US] / 12-1.4 [EU]
Alternator Capacity	V-A	12-40
Length	mm (in)	591.3 (23.28)
Width	mm (in)	433.0 (17.05)
Height (1)	mm (in)	621.0 (24.45)
Height (2)	mm (in)	232.6 (9.16)
Dry Weight	kg (lb)	114.0 (251.3)

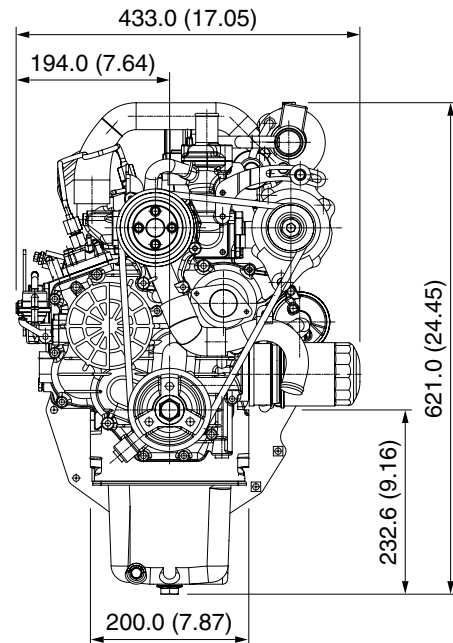
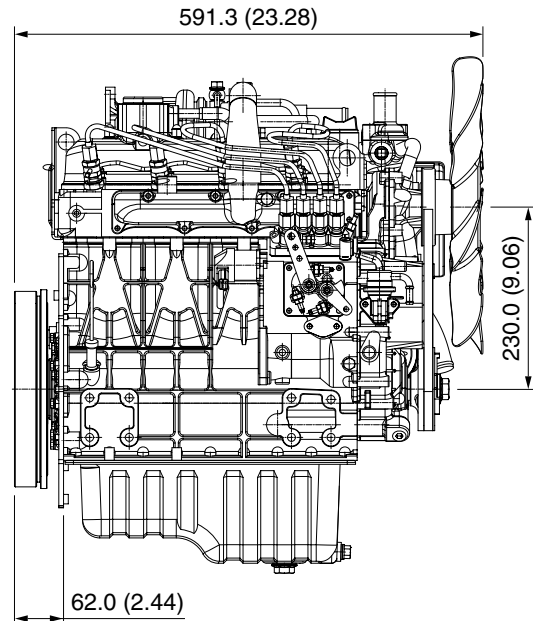
\*Specification is subject to change without notice.

\*Output: Gross Intermittent SAE J1995

\*Dry weight is according to Kubota's standard specification.

When specification varies, the weight will vary accordingly.

## DIMENSIONS



Your Driving Force  
KUBOTA ENGINE

## Mecanexim Engineering

Str. Tudor Arghezi, nr.1, Comuna 1 Decembrie, judetul Ilfov  
Telefon: +40 744 671 621

<http://kubota.com.ro>  
<http://mexanexim.ro>