

INDUSTRIAL DIESEL ENGINE

**KUBOTA 03-M SERIES (4-cylinder)**

# V2403-M-E3B



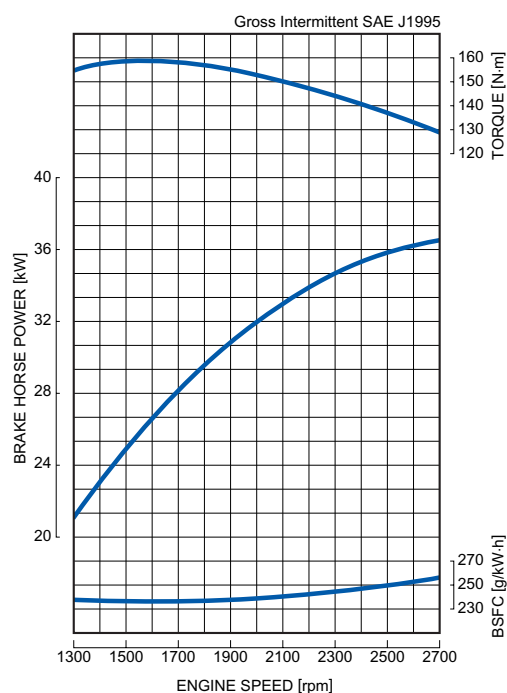
## RATED POWER

**36.5kW@2700rpm**



Photograph may show non-standard equipment.

## PERFORMANCE CURVE



## FEATURES and BENEFITS

### EMISII

Motorul V2403-M-E3B respecta standardele de emisii EPA Tier 4 care sunt valabile pana in 2012. Acest motor respecta de asemenea standardele EU Stage IIA pe piata europeana.

### PUTERE

Motorul este recunoscut pentru aplicatiile industriale. Cu numeroase facilitati, acest motor ofera performanta si flexibilitate.

Pasajul de racire dintre cilindru, foloseste tehnologia Kubota si contra-masuri impotriva supraincalzirii, pentru rezistenta si fiabilitate.

### CURAT SI SILENTIOS

Sistemul E-TVCS a fost imbunatatit. Fluxul de aer, camera de combustie si pistonii sunt imbunatatiti sa ofere cu 50% mai putin PM (particule in suspensie).

### OPTIUNE

Motoarele din seria 03-M ofera putere laterala take-off PTO, ca raspuns la trend-ul de marire a controlului hidraulic in aplicatiile industriale. Este posibila instalarea unei pompe hidraulice in 2 parti.

## GENERAL SPECIFICATION

Model		<b>V2403-M-E3B</b>
Emission Regulation		Interim Tier 4 / Stage III A
Type		Vertical 4-cycle Liquid Cooled Diesel
Number of Cylinders		4
Bore	mm (in)	87 (3.43)
Stroke	mm (in)	102.4 (4.03)
Displacement	L (cu.in)	2.434 (148.5)
Combustion System		IDI
Intake System		Naturally Aspirated
Maximum Speed	rpm	2700
Output: Gross Intermittent	kW	36.5
	hp	48.9
	ps	49.6
Direction of Rotation		Counterclockwise Viewed on Flywheel
Oil Pan Capacity	L (gal)	9.5 (2.51)
Starter Capacity	V-kW	12-2.0
Alternator Capacity	V-A	12-40
Length	mm (in)	670.9 (26.4)
Width	mm (in)	499.0 (19.6)
Height (1)	mm (in)	684.0 (26.9)
Height (2)	mm (in)	265.5 (10.5)
Dry Weight	kg (lb)	184.0 (405.7)

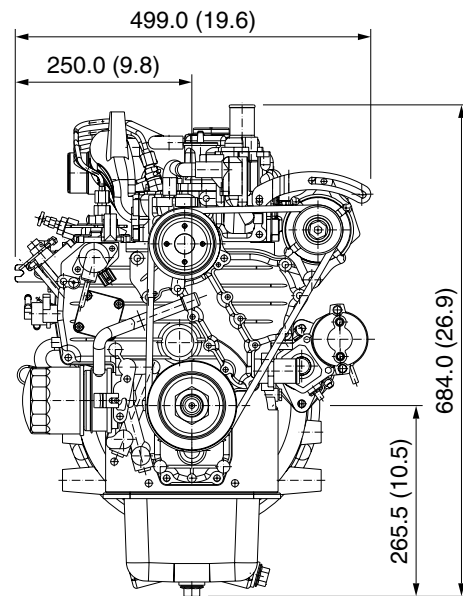
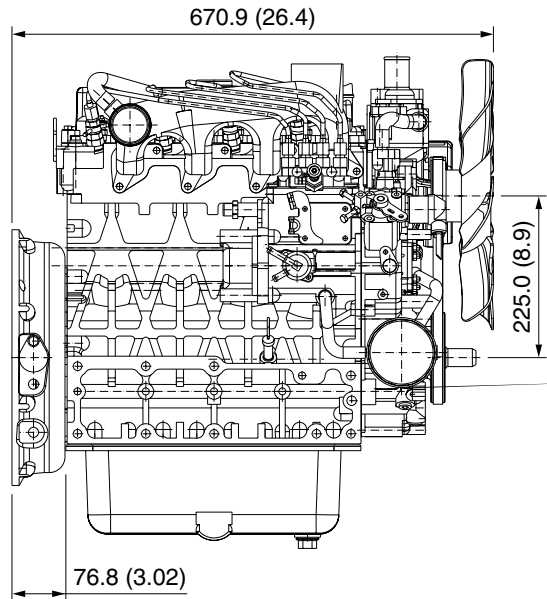
\*Specification is subject to change without notice.

\*Output: Gross Intermittent SAE J1995

\*Dry weight is according to Kubota's standard specification.

When specification varies, the weight will vary accordingly.

## DIMENSIONS



## Mecanexim Engineering

Str. Tudor Arghezi, nr.1, Comuna 1 Decembrie, judetul Ilfov  
Telefon: +40 744 671 621

<http://kubota.com.ro>

<http://www.mecanexim.ro/>