

INDUSTRIAL DIESEL ENGINE

**KUBOTA 05 SERIES (4-cylinder)**

# V1505-E3B



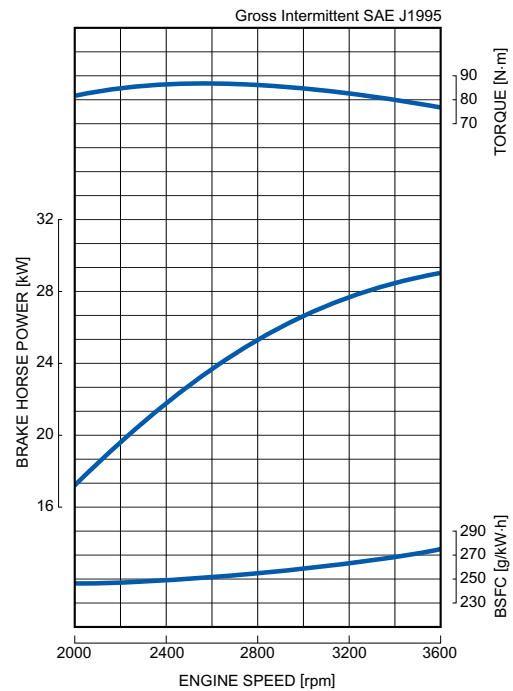
## RATED POWER

**29.0kW@3600rpm**



Photograph may show non-standard equipment.

## PERFORMANCE CURVE



## FEATURES and BENEFITS

### EMISII

Motorul D1505 turbo respecta reglementarile EPA Interim Tier 4 care sunt valabile pana in 2012. Acest motor respecta de asemenea standardele EU Stage IIA pe piata europeana.

### PUTERE

Motorul este valabil la 3600 rpm. Acesta ofera numeroase beneficii pentru aplicatiile disponibile care imbina viteza superioara intr-un motor compact.

### CURAT SI SILENTIOS

Sistemul E-TVCS a fost imbunatatit. Fluxul de aer, camera de combustie si pistonii sunt imbunatatiti sa ofere cu 50% mai putin PM (particule in suspensie).

## GENERAL SPECIFICATION

Model		<b>V1505-E3B</b>
Emission Regulation		Interim Tier 4 / Stage III A
Type		Vertical 4-cycle Liquid Cooled Diesel
Number of Cylinders		4
Bore	mm (in)	78.0 (3.07)
Stroke	mm (in)	78.4 (3.09)
Displacement	L (cu.in)	1.498 (91.41)
Combustion System		IDI
Intake System		Naturally Aspirated
Maximum Speed	rpm	3600
Output: Gross Intermittent	kW	29.0
	hp	38.9
	ps	39.4
Direction of Rotation		Counterclockwise Viewed on Flywheel
Oil Pan Capacity	L (gal)	6.0 (1.59)
Starter Capacity	V-kW	12-1.2 [US] / 12-1.4 [EU]
Alternator Capacity	V-A	12-40
Length	mm (in)	591.3 (23.28)
Width	mm (in)	396.0 (15.59)
Height (1)	mm (in)	607.0 (23.90)
Height (2)	mm (in)	232.6 (9.16)
Dry Weight	kg (lb)	110.0 (242.5)

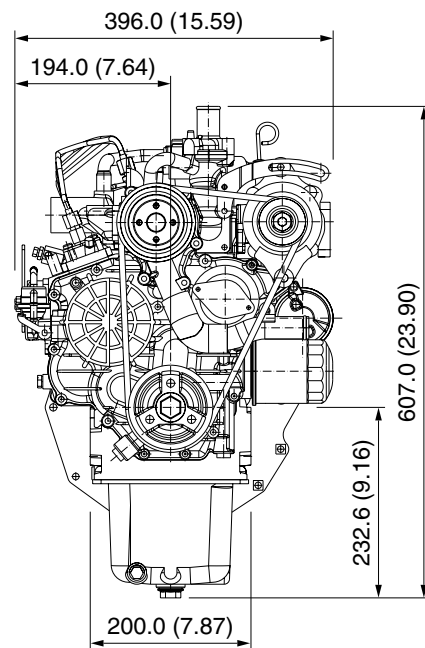
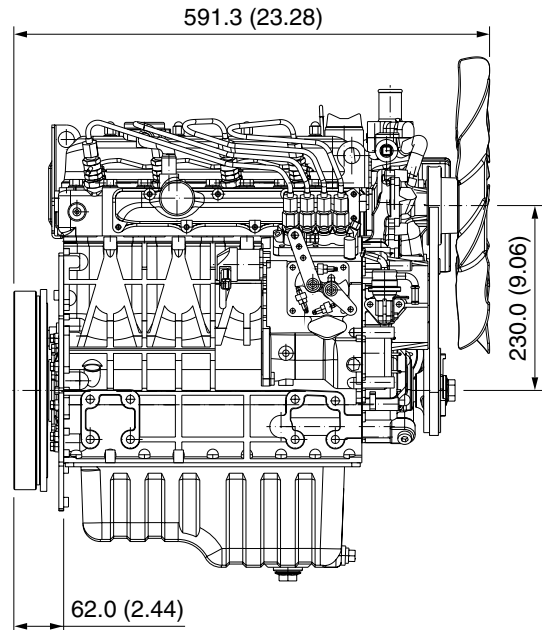
\*Specification is subject to change without notice.

\*Output: Gross Intermittent SAE J1995

\*Dry weight is according to Kubota's standard specification.

When specification varies, the weight will vary accordingly.

## DIMENSIONS



Your Driving Force  
KUBOTA ENGINE

## Mecanexim Engineering

Str. Tudor Arghezi, nr.1, Comuna 1 Decembrie, judetul Ilfov  
Telefon: +40 744 671 621

<http://kubota.com.ro>  
<http://mexanexim.ro>