

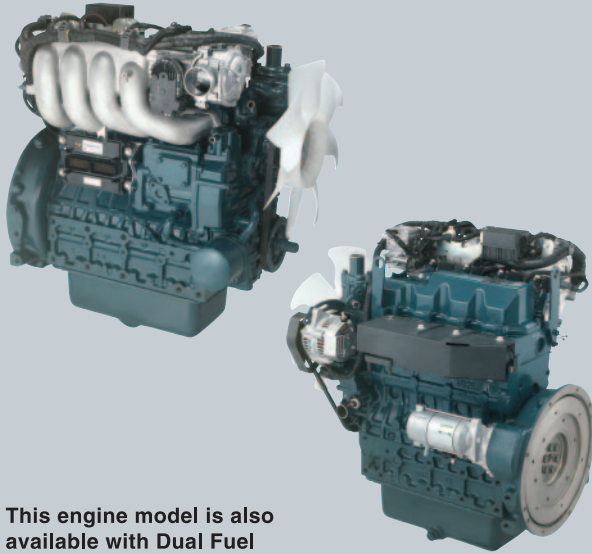
INDUSTRIAL GASOLINE/LPG/NATURAL GAS ENGINE

KUBOTA WG SERIES (4-cylinder)

WG2503-G/L/N-E3

RATED POWER

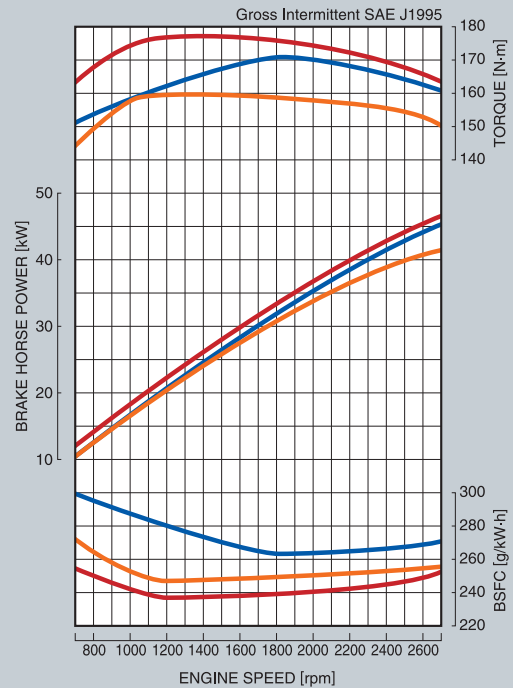
- 45.5kW @ 2700rpm (GASOLINE)
- 46.0kW @ 2700rpm (LPG)
- 42.4kW @ 2700rpm (NATURAL GAS)



This engine model is also available with Dual Fuel (Gasoline and LPG).

Dual Fuel Version Shown.

PERFORMANCE CURVES



FEATURES and BENEFITS

EMISII

Motorul WG2503-G-E3 a fost conceput pentru a indeplini cele mai stricte reglementari de emisii: EPA Tier 2 si CARB Tier 3.

FLEXIBILITATE COMBUSTIBIL

Compatibilitate intre motoarele SI si CI este o solutie buna pentru clientii care au nevoie de flexibilitate cu produsele lor. Motorul ofera variante diferite de combustibil precum: benzina, LPG, gaz natural si combustibil mixt (benzina si LPG).

DURABILITATE SI FIABILITATE

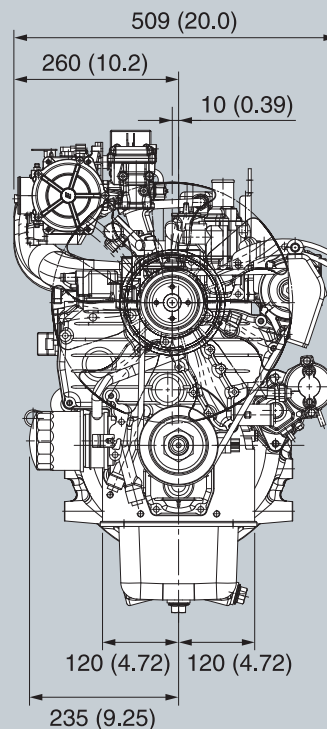
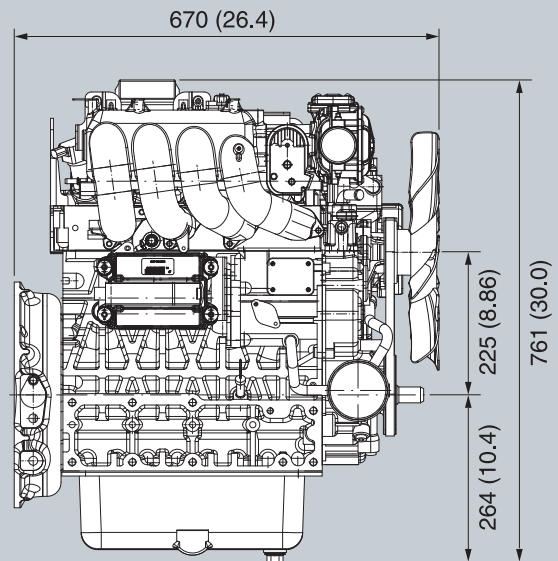
Motoarele WG2503-G-E3 SI au fost realizate dupa Seria 05 CI si au performante asemanatoare in comparatie cu motoarele turbo diesel, care sunt renumite la nivel mondial pentru fiabilitate. Noul motor WG1605 este extrem de linistit cu vibratii putine.

KUBOTA WG SERIES WG2503-G/L/N-E3

GENERAL SPECIFICATIONS

Model		WG2503-G-E3	WG2503-L-E3	WG2503-N-E3	
Emission Regulation		EPA Tier 2, CARB Tier 3			
Type		Vertical 4-cycle Liquid Cooled Engine			
		Gasoline use	LPG use	Natural gas use	
Number of Cylinders		4			
Bore	mm (in)	88.0 (3.46)			
Stroke	mm (in)	102.4 (4.031)			
Displacement	L (cu.in)	2.491 (152.0)			
Fuel		Unleaded gasoline	Commercial LPG	Natural gas	
Aspiration		Naturally Aspirated			
Maximum Speed	rpm	2700			
Output: Gross Intermittent SAE J1995		kW	45.5	46.0	42.4
		HP	61.0	61.7	56.9
		ps	61.9	62.5	57.6
Direction of Rotation		Counter clockwise viewed from flywheel side			
Oil pan capacity	L (u.s.gal)	9.5 (2.5)			
Starter Capacity	V-kW	12-2.0			
Alternator Capacity	V-A	12-40			
Length	mm (in)	670 (26.4)			
Width	mm (in)	509 (20.0)			
Height (1)	mm (in)	761 (30.0)			
Height (2)	mm (in)	264 (10.4)			
Dry Weight	kg (lb)	212 (467)			

DIMENSIONS



Dual Fuel Version Shown.

*Specification is subject to change without notice.
 *Dimensions and dry weight are according to Kubota's standard specifications.
 Dimensions and weight depend on completed specifications.
 *LPG: Commercial liquid propane gas only. Equivalent to propane HD-5 of GPA standards.
 *Natural gas: The performance shown is with Japanese standard natural gas.
 The lower heating value: 9699 kcal/m³ (1090 BTU/ft³)



Mecanexim Engineering

Str. Tudor Arghezi, nr.1, Comuna 1 Decembrie, judetul Ilfov
 Telefon: +40 744 671 621

<http://kubota.com.ro>

<http://www.mecanexim.ro/>